



ML850 蓝牙立体声耳机 Wireless stereo headphones

用户手册
User Manual



扫一扫，了解更多产品
Scan for more
product information

广东省电声工程技术研究开发中心 广东得胜电子有限公司制造

地址: 广东省惠州市博罗县龙溪街道富康一路2号
服务热线: 400 6828 333 传真: 0752-6383950
邮箱: xs@takstar.com
网址: www.takstar.com

Guangdong Takstar Electronic Co., Ltd.
Address: No. 2 Fu Kang Yi Rd., Longxi Boluo
Huizhou, Guangdong 516121 China
Tel: 86 752 6383644 Fax: 86 752 6383952
Email: sales@takstar.com
Website: www.takstar.com

GB 8898-2011
GB/T 14471-2013
91 ML 850 S 00

ML850 蓝牙立体声耳机

■ 前言

尊敬的用户:

感谢您选购TAKSTAR ML850 蓝牙耳机,为了您能够更好的了解使用本产品, 建议您在使用前仔细阅读本说明书。

若存在有疑问或者您有宝贵的建议, 可通过拨打得胜官方服务热线 400 6828 333 或使用微信扫描二维码关注得胜官方公众号与我们联系。



■ 产品特性

采用Bluetooth®4.2, 传输稳定, 抗干扰能力强;
支持aptX®和AAC编解码技术, 增强Bluetooth®传输的音质;
支持同时与两台设备连接, 方便切换播放设备和接听电话;
支持NFC, 避免繁琐配对或代码设置, 轻松连接;
支持快速充电, 充电10分钟可获得约90分钟聆听时间;
低功耗电源管理技术, 可提供25小时音乐续航时间;
柔软的蛋白皮耳罩, 带来更好的佩戴舒适感和长久的聆听享受。

■ 标准配置

耳机1只
USB充电线1条
音频线1条
耳机航空适配器1个
便携盒1个
用户手册1份

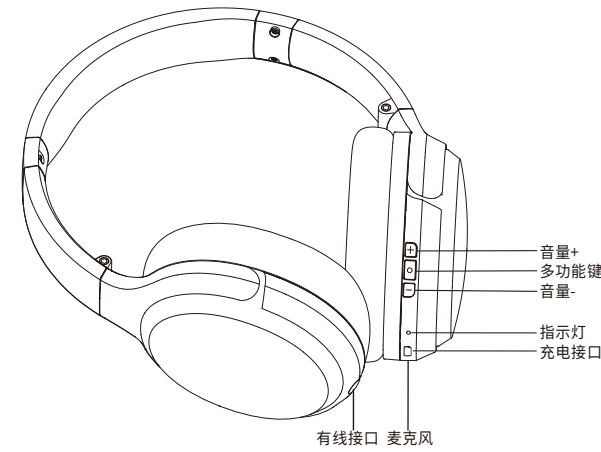
■ 适用范围

适用于手机、平板、电脑、播放器等蓝牙终端设备音乐鉴赏

1

ML850 蓝牙立体声耳机

■ 使用说明



一.开/关机

开机: 长按多功能键2秒, 提示音开机提示电量, 绿灯亮1秒熄灭;
关机: 长按多功能键5秒, 提示音关机, 红灯亮1秒熄灭。

二.蓝牙配对

- 首次开机自动进入配对模式, 耳机指示灯红绿交替闪烁进入配对模式;
- 关机状态下, 长按多功能键5秒, 耳机指示灯红绿交替闪烁进入配对模式;
 - 开启配对设备(手机/电脑/播放器等)的蓝牙功能开关, 扫描附近设备;
 - 点击新出现的蓝牙名称“TAKSTAR ML850”, 完成配对连接, 耳机指示灯绿灯闪烁。
- 开机状态下, 未连接设备时, 长按多功能键2秒进入配对模式。

3

ML850 蓝牙立体声耳机

三.NFC配对:

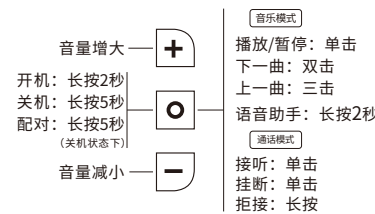
- 支持NFC兼容的Android的设备, 将设备接触耳机上N标识, 直至设备做出反应, 按设备屏幕进行操作完成配对和连接;
- 要断开连接, 再次接触N标识。



四.充电

充电时红灯长亮, 充电完成后红灯熄灭绿灯长亮。

耳机功能操作

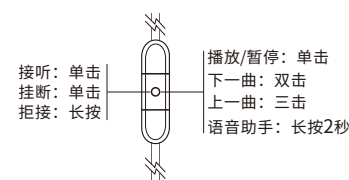


提醒: 唤醒语音助手功能需要手机设备支持。

■ 注意事项

- 安全配对模式: 连接蓝牙耳机设备低于蓝牙版本3.0时, 使用默认安全密码“0000”连接;
- 清除配对/复位: 同时长按“音量+”和“音量-”键2秒, 红绿灯交替快闪, 清除已有配对;
- 语言切换: 同时长按“音量+”和“多功能键”键2秒, 切换提示语言;
- 双设备连接: 两台设备同时连接耳机时, 仅支持其中一台设备播放; 当同时连接两台设备时, 某些跨设备操作可能会存在延迟(比如暂停A设备曲目、同时播放B设备曲目), 此为正常现象;
- 自动关机: 耳机超过5分钟未连接设备, 将自动关机。

线控功能



4

ML850 蓝牙立体声耳机

■ 正确使用方法

为了避免听力受损, 请务必在连接耳机前将播放设备音量调小。在将耳机佩戴入耳内/耳上之后, 再逐步调大至您聆听舒适的音量。噪音是以分贝 (dB) 为计量单位的, 外界任何85分贝及以上的噪音都会导致听力逐渐受损。

请注意您的使用习惯。音量和时间对听力损失的影响成正比的关系: 音量越大, 您聆听的时间越短; 音量越舒适, 您聆听的时间越长。长时间使用较高的音量会对您的听力造成伤害。

此分贝 (dB) 表对某些常见声音进行比较, 并列出了他们可能对听力的潜在危害等级。

声音来源	噪声等级	听力影响
低声细语	30dB	非常安静
安静的办公室	50-60dB	舒适的听力级别在60dB以下
吸尘器/吹风机	70dB	有一定入侵性, 造成干扰妨碍电话交谈
食物料理机	85-90dB	85dB是开始造成听力受损 (连续8小时) 的级别
垃圾清理机 混凝土搅拌机	100dB	建议无保护措施而暴露在90-100dB声音之下的时间不要超过15分钟
电锯/电钻	110dB	经常暴露于超过100dB的声音1分钟以上会有听力受损的风险
摇滚音乐会 (因情况而异)	110-140dB	感觉疼痛的阈值在120dB左右开始

“普通人能够以70%的音量每天安全地聆听音乐4.6小时, 了解聆听音乐的音量和时长尤为重要。”
在安全的音量级别下, 充分利用您的设备, 享受出色的声音表现。

■ 保养及维护

- 耳机的额定功率为10mW, 请不要超负荷使用, 以免造成耳机损坏;
- 请储存于干燥洁净环境, 使用中避免液体进入机身内部、跌落或碰撞, 以免损坏;
- 勿在高温高湿的场所长时间使用耳机, 容易造成耳机损坏或降低使用寿命;
- 耳机在放置时要避免和强磁体接触, 以免使耳机的恒磁体去磁, 使耳机的灵敏度降低而影响耳机音色;
- 勿使用剧烈性化学制品、清洁剂清洁耳机;
- 不要用尖锐物品在产品表面刮蹭, 以免损坏外壳、影响外观;
- 请不要自行拆机改装或维修, 以防止故障发生。

5

■ 安全警示

⚠ 危险

• 为确保您的人身安全, 请勿将该耳机佩戴或放置在离心机起搏器过近的位置 (小于10cm)。	⊘ 禁止
• 请勿将线材插头插入电源插座。	⊘ 禁止
• 为了您与其他交通参与者的安全, 驾驶车辆、骑自行车或马路上行走时, 请勿使用耳机。	⚠ 执行
• 请勿将耳机靠近明火或置于火中, 以免发生爆炸。	⊘ 禁止

⚠ 警告

• 儿童应在成人监督下使用本产品。本产品并非玩具。	⚠ 执行
• 使用该产品时需遵守相关安全规定, 法律法规明确禁止使用场合请勿使用本机, 以免导致意外事故。	⚠ 执行

6

ML850 Wireless stereo headphones

Foreword

Dear Customer,
Thank you for purchasing Takstar ML850 bluetooth headphone.
Please read the user manual carefully before operation and keep it for reference in future. If you have any question or suggestion, please contact our local dealer.

Features

1. Designed with Bluetooth®4.2, reliable transmission, high anti-interference capability
2. Supporting aptX® and AAC coding and decoding technology, boosting Bluetooth® transmission sound quality
3. Supporting NFC to avoid matching or code setting, easy connection
4. Supporting connecting with two equipments simultaneously for switching playing equipment and answer the call
5. 10 minutes of charging lasts for 90 minutes of listening
6. Low power consumption, 25h music operation time
7. Soft protein ear pad for comfortable wearing in a long time

Product Content

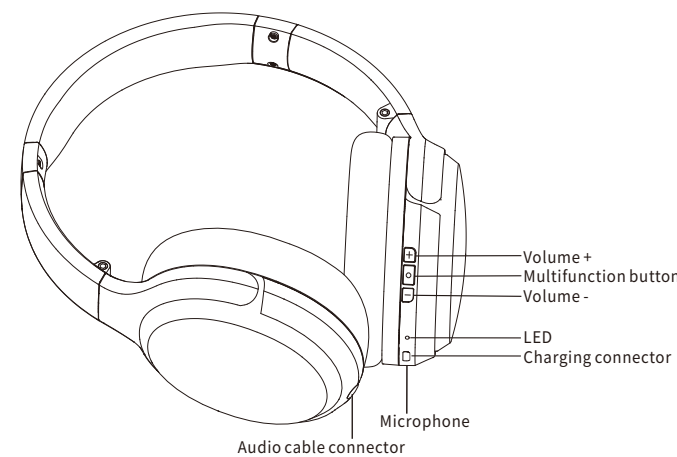
- Headphone.....1pc
- Charging cable.....1pc
- Audio cable.....1pc
- Adapter.....1pc
- Portable case.....1pc
- User manual.....1pc

Application

Cell phone, tablet PC, PC, player

ML850 Wireless stereo headphones

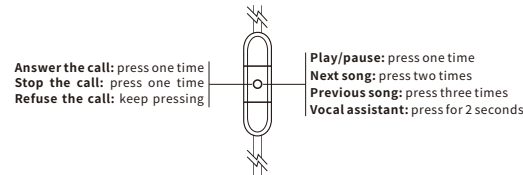
Operation Instruction



- A. Power On/Off**
Power on: keep pressing the multifunction button for 2 seconds. The sound prompt indicates power-on. The green LED lights up for 1 second and then lights off.
Power off: keep pressing the multifunction button for 5 seconds. The sound prompt indicates power-off. The red LED lights up for 1 second and then lights off.
- B. Bluetooth matching**
1. Power on the headphone to enter into Bluetooth matching mode. The LED lights up red and green alternatively means it enters into the matching mode.
 2. In power off status, keep press the multifunction button for 5 seconds. The LED lights up red and green alternatively means it enters into the matching mode.
 - (1) Turn on the Bluetooth of the equipment to be matched (cell phone/PC/player) to scan adjacent equipment.
 - (2) Click the new bluetooth "TAKSTAR ML850" for matching. The headphone green LED flashes.
 3. In power-on status, keep pressing the multifunction button for 2 seconds to enter into Bluetooth matching mode.

ML850 Wireless stereo headphones

In-line controller function



Correct Operation

To avoid hearing loss, please set the playing equipment volume to minimum before connecting the headphone (or earphone). After wearing the headphone (or earphone), increase the volume to a proper level. The noise is calculated by dB. The noise above 85 dB leads to hearing loss.
Please pay attention to your operation habit. The relationship of volume & hearing time and hearing loss as below: the higher the volume is, the shorter the hearing time should be. The more proper the volume level is, the longer the hearing time can be. The long time hearing at high volume level leads to permanent hearing loss.
This dB table lists the comparison of some normal sounds and the potential hurt level to your hearing.

Sound Source	Noise Level	Consequence on Hearing
whisper	30dB	very quiet
quiet office	50-60dB	comfortable hearing level is below 60dB
vacuum cleaner/ hair drier	70dB	It has some invasion and interference to the telephone talking
food processor	85-90dB	85dB (continuously 8 hours) is the level to hurt the hearing
garbage cleaning machine or cement mixer	100dB	It is recommended to hear the sound of 90-100dB for less than 15 minutes
electric motor saw/ electric drill	110dB	Hearing the sound over 100dB without any protective measure leads to permanent hearing loss
rock & roll concert (it depends)	110-140dB	The painful hearing threshold is about 120dB

The average person can hear the music safely at 70% volume for 4.6 hours every day. It is very important to know the volume and time when hearing music. Use your equipment sufficiently at safe volume level to enjoy the outstanding sound performance.

ML850 Wireless stereo headphones

Specification

- Unit Diameter: Ø40mm
- Frequency Response: 20Hz-20kHz
- Sensitivity: 101±3dB at 1KHzinput 179mV(1mW)
- Unit Impedance: 32±15%Ω
- Max Power: 30mW
- Rated Power: 10mW
- S/N Ratio: >82dB
- Sample Rate: 96KHz/24bit
- THD: THD<0.5% 1KHz
- Microphone Sensitivity: -16±3dB at 1KHz
- Bluetooth Version: Bluetooth®4.2
- Bluetooth Protocol: A2DP, AVRCP, HFP, HSP
- Audio Decoding: aptX, AAC
- Transmission Range: 10m
- Charging Time: approximate 1.5h
- Playing Time: ≥25h
- Dimension: 160*78*193mm(L*W*H);
- Net Weight: approximate 250g

Note:
1. The charging time and operation time will be different in different situation.
2. The transmission range changes due to obstacle, magnetic field, static, receiving sensitivity, antenna performance, operation system.

ML850 Wireless stereo headphones

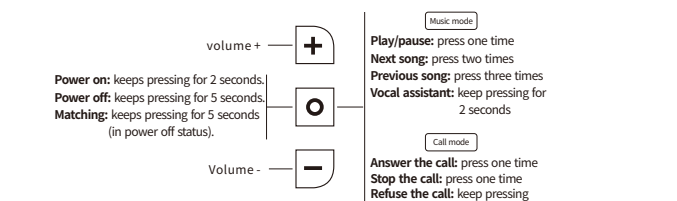
NFC matching

1. It supports the Android equipment compatible with NFC. Put the equipment on the headphone N mark. Operate according to the steps on the equipment screen to finish the matching.
2. To disconnect the matching, put the equipment on the headphone N mark once again.

Charging

During charging, the red LED keep lighting up. After charging, the red LED lights off and the green LED keeps lighting up.

Headphone function operation



Note: to wake up the vocal assistant needs the cell phone supports.

Caution

1. Code matching mode: if the equipment to be linked with headphone has Bluetooth version lower than 3.0, use the default code "0000" to link.
2. Delete matching/reset: press volume + and volume - simultaneously for 2 seconds. The red and green LED light up alternatively. The matching has been deleted.
3. Language switching: press volume + and multifunction button for 2 seconds to switch the language for sound prompt.
4. Dual equipment link: if two equipments are linked simultaneously, it supports only one equipment to play the song. When two equipments are linked simultaneously, delay happens during two equipment operation, e.g. it pauses equipment A to play, but starts equipment B to play with a delay.
5. Power off automatically: the headphone powers off automatically if there is no linked equipment after 5 minutes.

环保说明

产品中所含有毒有害物质或元素的名称及含量

部件名称 (大体分类)	有毒有害物质或元素					
	铅 (Pb)	汞 (Hg)	镉 (Cd)	六价铬 (CrVI)	多溴联苯 (PBB)	多溴二苯醚 (PBDE)
塑胶部件	○	○	○	○	○	○
五金部件	×	○	○	○	○	○
电路板组件	×	○	○	○	○	○
线缆	×	○	○	○	○	○

本表格依据SJ/T 11364的规定编制。
○: 表示该有害物质在该部件所有均质材料中的含量均在 GB/T 26572规定的限量要求以下。
×: 表示该有害物质至少在该部件的某一均质材料中的含量超出 GB/T 26572规定的限量要求。

此标志为产品的环保使用期限标志,且此环保使用期限只适用于产品正常工作的温度和湿度等条件。



Maintenance

- The rated power of ML850 is 10mW. Please do not operate it at overload status to avoid headphone (or earphone) damage.
- Please keep the headphone (or earphone) in dry and clean environment. During operation, prevent the headphone (or earphone) from water entering into it or dropping or colliding to avoid damage.
- Operating the headphone in high temperature or high humidity leads to headphone damage or shortening the headphone life.
- Keep the headphone away from strong magnet to avoid demagnetizing or headphone sensitivity decreased.
- Do not use strong chemical or detergent for cleaning.
- Do not use sharp article to scratch the product surface
- Please do not disassemble or repair the headphone by yourself to avoid problem happens.

Caution

DANGER	
• To guarantee personal safety, do not wear or keep the headphone close (less than 10cm) to the pacemaker.	Prohibition
• Do not connect the cable plug with AC power socket	Prohibition
• To guarantee personal safety, do not operate the headphone (or earphone) during driving or riding or walking.	Implementation
• Keep the headphone (or earphone) away from fire to avoid explosion.	Prohibition

WARNING	
• Supervise the children when they are using this product because this product is not a toy.	Implementation
• Abide by the relative regulation or law during operation. Do not use this headphone if it is prohibited by regulation or law to avoid accident.	Implementation

产品服务保证书

姓名: _____ 电话: _____ 地址: _____
商品: _____ 型号: _____ 购买日期: _____ 年 ____ 月 ____ 日

维修记录栏(由维修员填写)	维修员签名	日期

◆ 广东得胜电子有限公司 ◆ 电话: 400-6628-333 ◆ 地址: 广东省惠州市博罗县龙溪街道蓝藤一路2号

注意事项:
1. 本单为保修凭证, 请用户妥善保管, 如有遗失, 恕不保修或退换。
2. 保修期限: 购买之日起十二个月内。
3. 除了不可抗力事件损坏外, 由本公司负责免费维修。
4. 如属保管不善或使用不当造成的损坏, 维修点将酌情收费。
5. 擅自拆卸维修者, 不予保修。
6. 以上保修条款仅限于中国大陆市场适用 (不含香港、澳门地区)。